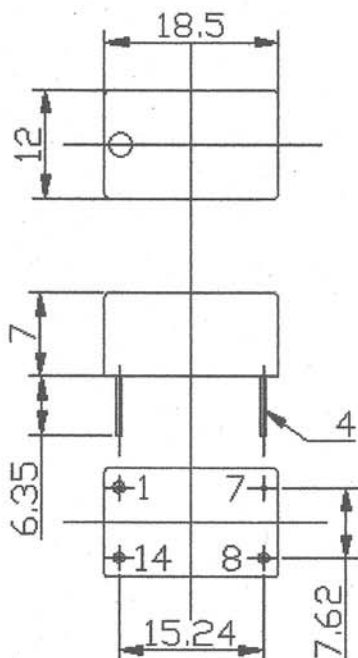


Oscillateur TCXO à ultra faible jitter

1. PARAMETER:

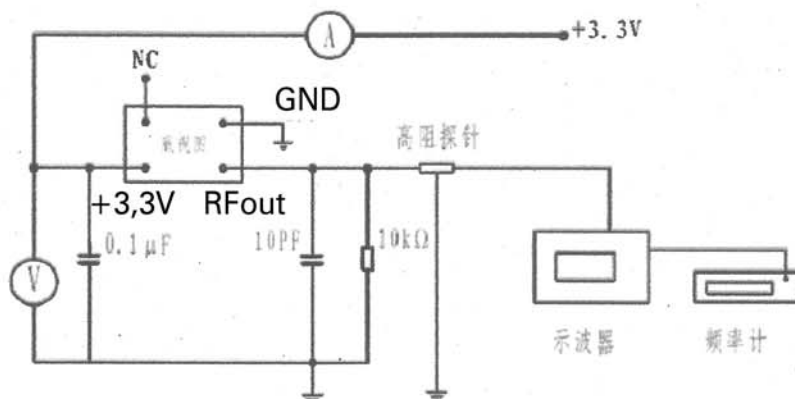
Frequency	24.576 MHz
Frequency Stability	±1.0 ppm@25°C
Temperature Stability	≤±1.0 ppm / -20°C ~ +70°C
Operate Temperature Range	-20°C ~ +70°C
Operate Voltage	+3.3 V±5%
Operate Current	≤5 mA
Output Wave	HCMOS
Adjustment	Mechanical Adjustment
Package Size	18.4mm*11.8mm*7.0mm

2. DRAWING:



- 1. N/C
- 7. GND
- 8. OUTPUT
- 14. +3,3V

3. TEST CHART:



Produit importé et distribué par :

Selectronic

B.P 10050 - 59891 LILLE Cedex 9

TEL : 0 328 550 328 FAX : 0 328 550 329 SAV : 0 328 550 323 www.selectronic.fr